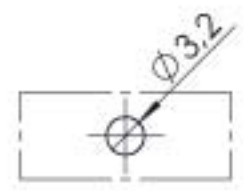
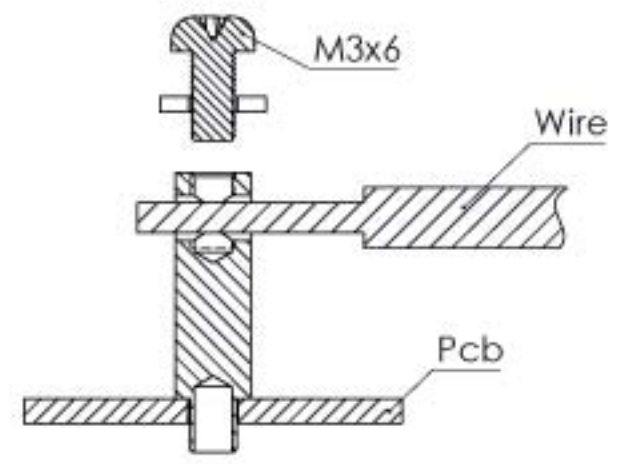


KESIT A-A



Layout Suggestion

Kodu	L1 (mm)
YP-040-8	8
YP-040-10	10