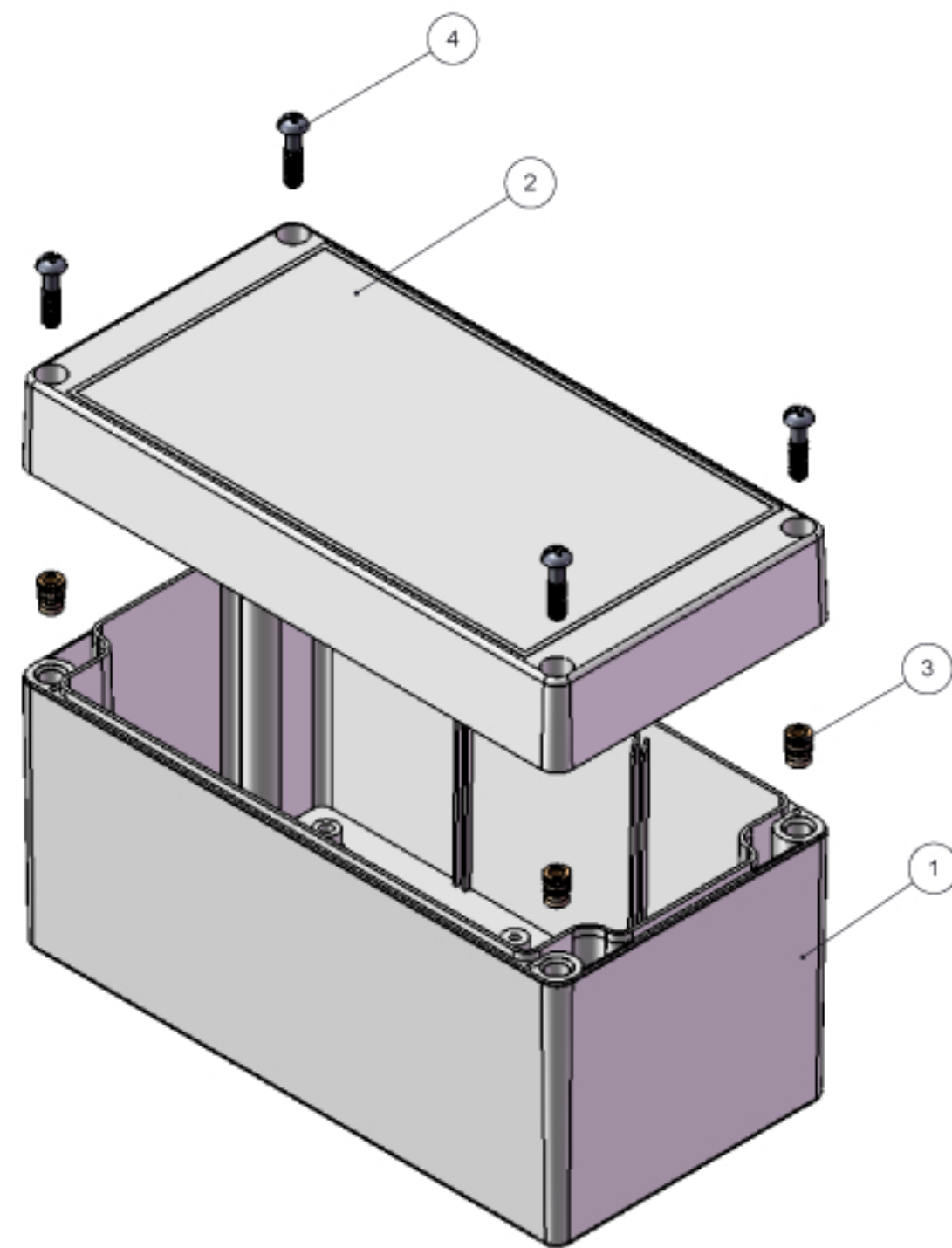
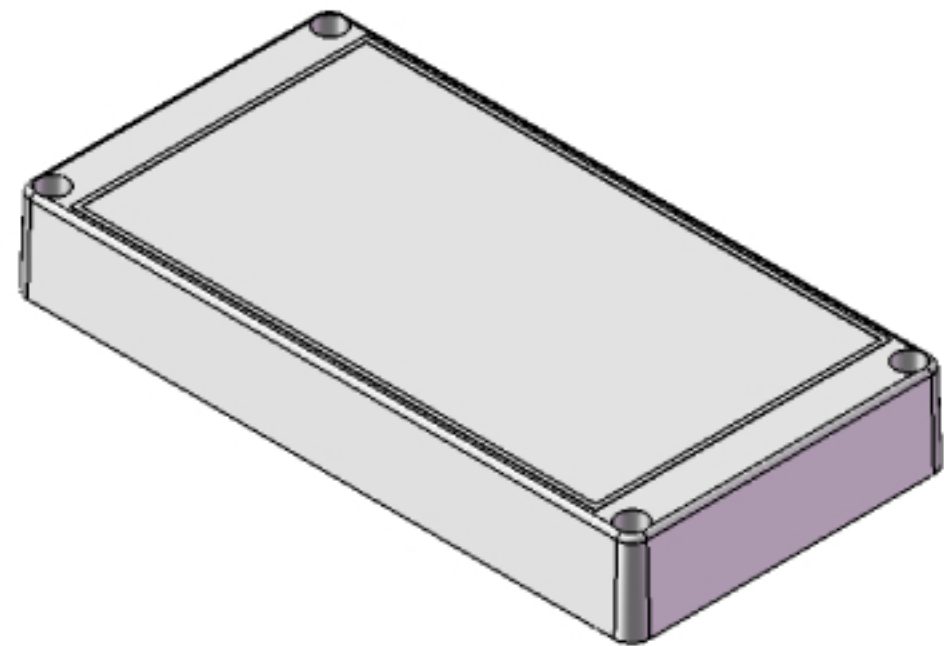
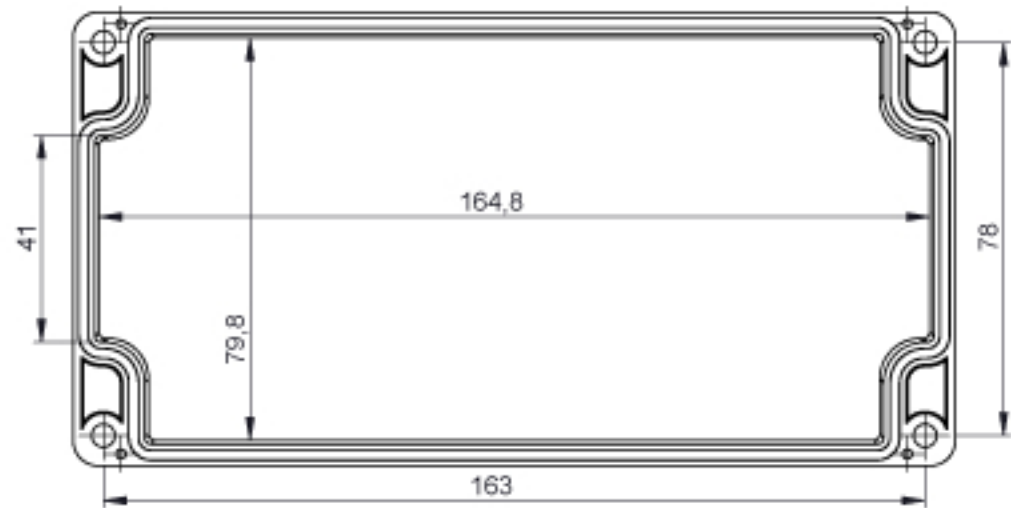
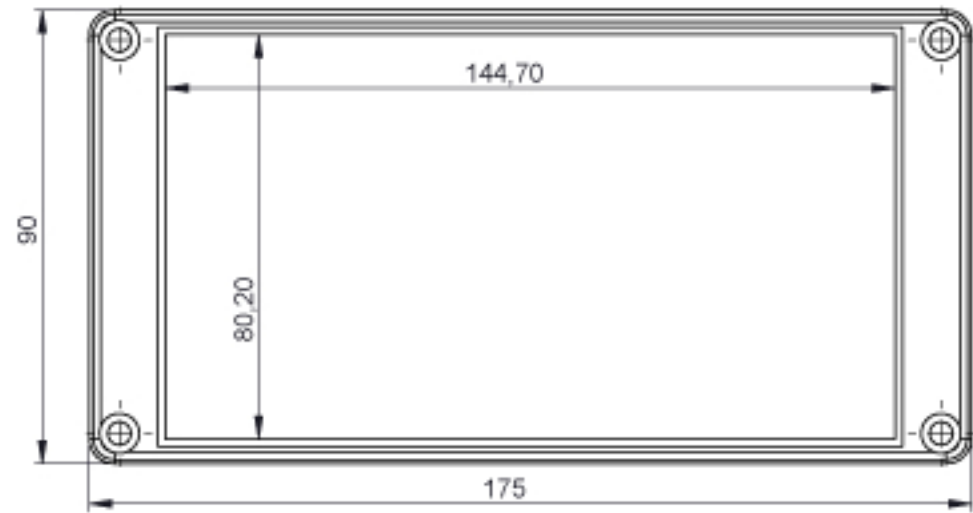
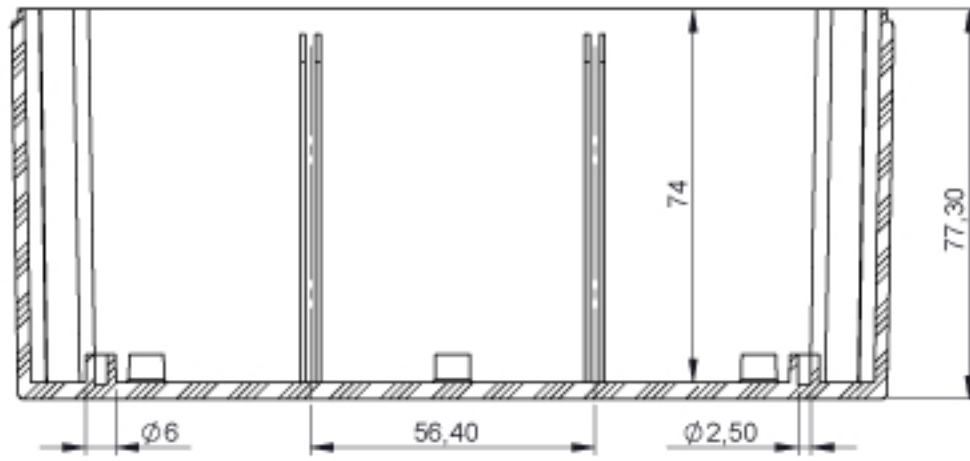
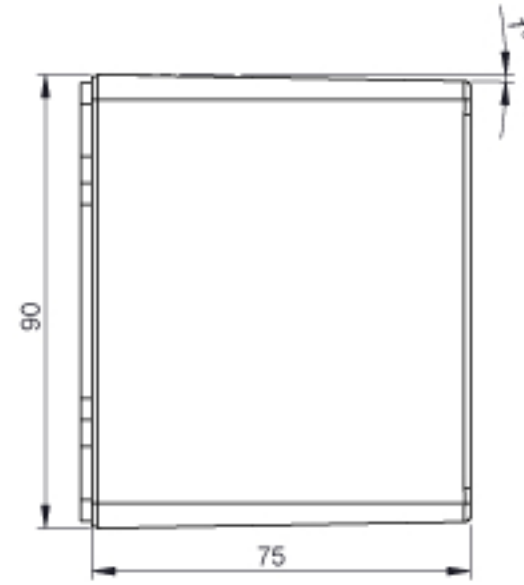
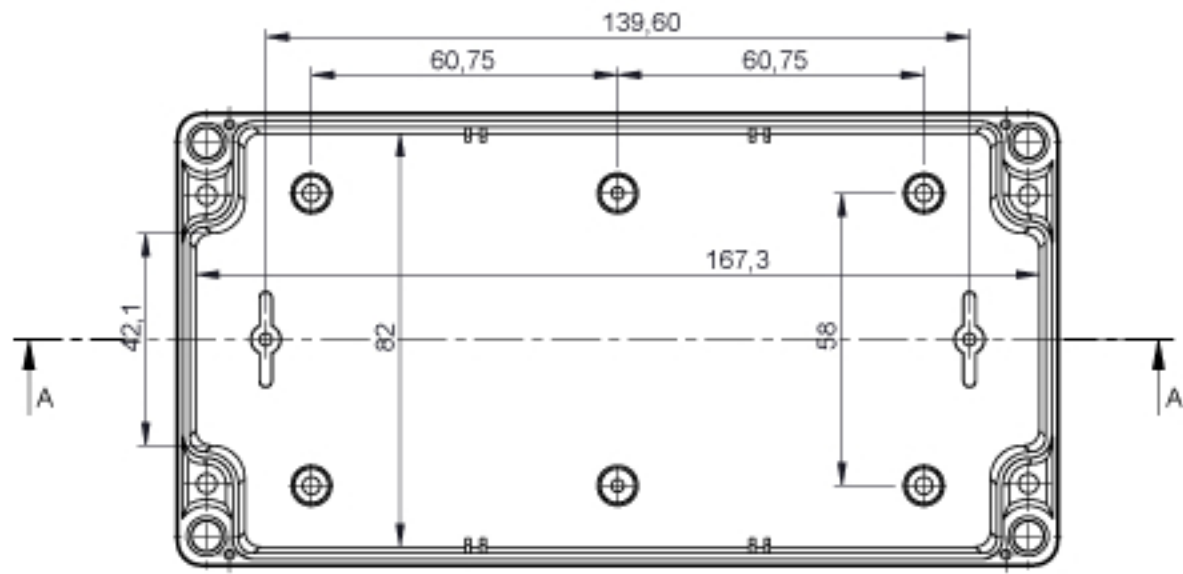


SECTION A-A



ITEM NO.	PART NUMBER	DESCRIPTION	QTY.
1	SE-056-P-1-G-0-11307	SE-056 Body	1
2	SE-056-P-2-G-0-11308	SE-056 Cover	1
3	A-650-0-0-P-0-11295	M4x8 Brass Insert	4
4	A-648-0-0-M-0-11201	M4x16 mm CSB Stainless Screw	4





SECTION A-A

