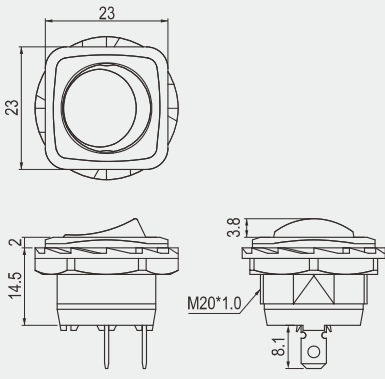


R13-135

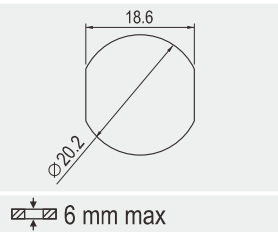
Screw Type



Rating	16A 125V AC 10A 250V AC
Contact resistance	50mΩ Max
Insulation resistance	DC 500V 100MΩ Min
Dielectric strength	AC 1500V 1 minute
Cut-out	

FEATURES

- * MATERIAL: Frame is nylon with glass fiber (UL flame: 94V-2). Terminals are silver plated brass.
- * Illuminated actuators are molded in PC, available with red, amber, green, blue and white colors.
- * Mounted by nut.



Ordering number instruction

R13-135 -

FUNCTION	TERMINAL
Different button (按钮不同) A 2P SPST A 2 2P SPST A P 2P SPST	0 2 .187" SQ 0 9 PC <small>AC/D/E/F/G/H/I</small> 1 2 SO <small>AC/D/E/F/G/H/L</small>
Illuminated/ Different button (带灯/按钮不同) B 3P SPST (NEON) <small>125VAC 33KΩ / 250VAC 150KΩ</small> B 2 3P SPST (W/Lens) (NEON) <small>125VAC 33KΩ / 250VAC 150KΩ</small> B 9 3P SPST (W/O Lens) (LED) B P 3P SPST (NEON) <small>125VAC 33KΩ / 250VAC 150KΩ</small>	
Different position / Different button (动作特性不同/按钮不同) C 3P SPDT C P 3P SPDT D 3P SPDT D P 3P SPDT	
Momentary (弹回) E 2P SPST F 2P SPST G 3P SPDT H 3P SPDT	
I 3P SPDT	
Independent circuit (独立回路) L 4P SPST (LED) L P 4P SPST (LED) L F 4P SPST (LED)	