

## SPECIFICATIONS:

CONTACT RATING: 6A 250VAC 10A 125VAC.  
 ELECTRICAL LIFE: 10,000 Operations.  
 MECHANICAL LIFE: 50,000 Operations.  
 CONTACT RESISTANCE: <20m-ohms.  
 INSULATION RESISTANCE: >1,000M-ohms.  
 DIELECTRIC STRENGTHS: >1,500 volts 1min.  
 >3,000 Volts between poles.

## MATERIALS:

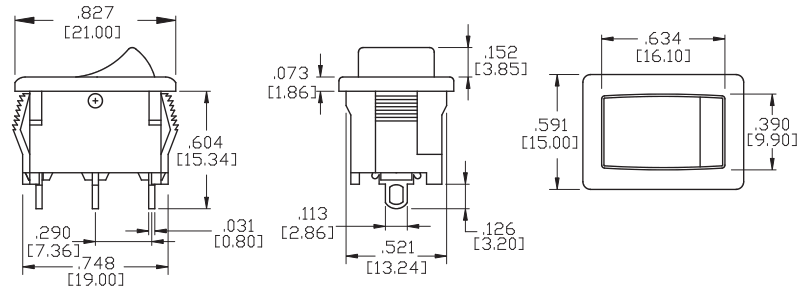
HOUSING: 66 Nylon(UL 94V-2).  
 ACTUATOR: 66 Nylon(UL 94V-2).  
 MOVABLE CONTACTS: Copper, silver plated.  
 STATIONARY CONTACTS: Copper, silver plated.  
 TERMINALS: Copper, silver plated.  
 CONTACT SPRING: Piano wire.

Specifications and Dimensions subject to change



SPST & SPDT

Model No.	Type
33A	ON-OFF
33B	ON-ON
33C	(ON)-OFF
33D	ON-(OFF)
33F	ON-OFF-ON
33H	(ON)-OFF-(ON)

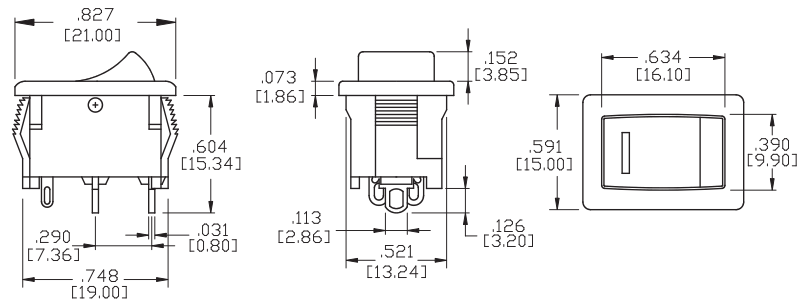


SPST

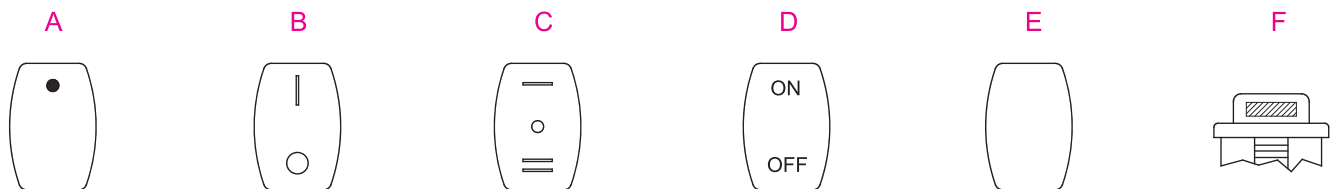
Model No.	Type
R19-33E	ON-OFF W/LED
R19-33G	SPDT ON-(ON)

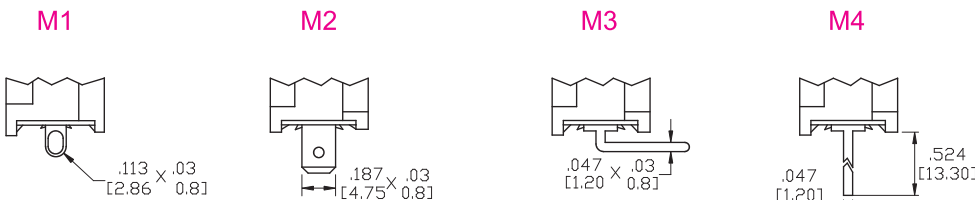
LED Color	
1	Red
2	Yellow
3	Green
4	Blue



## MARK OPTIONS



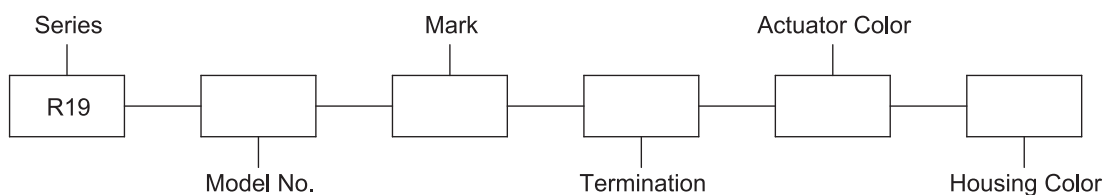
## TERMINATION OPTIONS



## COLOR OPTIONS

Actuator and Housing Colors	
1	White
2	Black (Std.)
3	Red
4	Charcoal Gray

## HOW TO ORDER



Toggle

Rocker

Slide

Pushbutton

AV

Rotary

Tact

Touch Key

Miscellaneous