

Series R19

Power Rocker Switches

SPECIFICATIONS:

CONTACT RATING: 10A 125V AC 6A 250VAC.
 ELECTRICAL LIFE: 20,000 cycles.
 MECHANICAL LIFE: 50,000 cycles.
 CONTACT RESISTANCE: 50m-ohms.
 INSULATION RESISTANCE: DC 500V 100M-ohms min.
 DIELECTRIC STRENGTHS: AC 1500V 1 min.

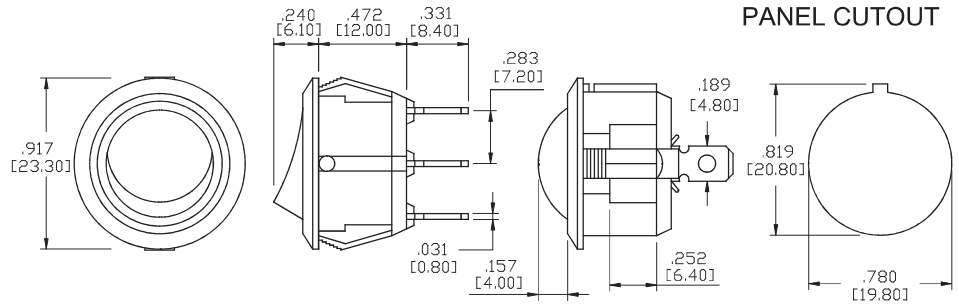
MATERIALS:

HOUSING: 66 Nylon(UL 94V-2).
 ACTUATOR: 66 Nylon(UL 94V-2).
 MOVABLE CONTACTS: Copper, silver plated.
 STATIONARY CONTACTS: Copper, silver plated.
 TERMINALS: Copper, silver plated.
 CONTACT SPRING: Piano wire.

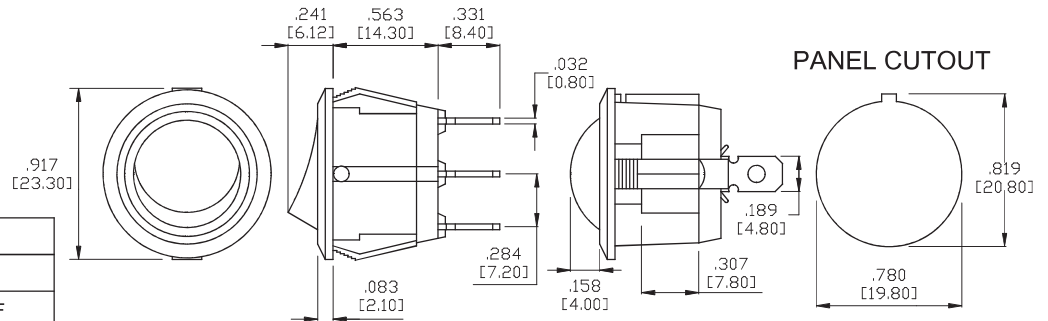
Specifications and Dimensions subject to change



Model No.	Type
R-208A	SPST ON-OFF
R-208B	SPST ON-OFF ILLUMINATED
R-208C	SPDT ON-ON
R-208E	SPST ON-(OFF)



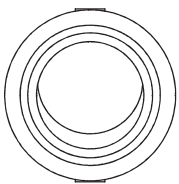
Model No.	Type
R-112	SPDT ON-ON
R-112A	SPST ON-OFF
R-112B	SPST ON-OFF (ILLUMINATED)
R-112C	SPDT ON-OFF-ON
R-112L	SPST ON-OFF (ILLUMINATED)



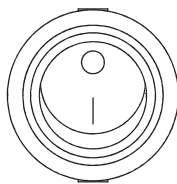
* With T3 Actuator

ACTUATOR OPTIONS

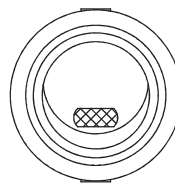
T1



T2

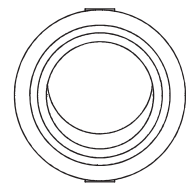


T3



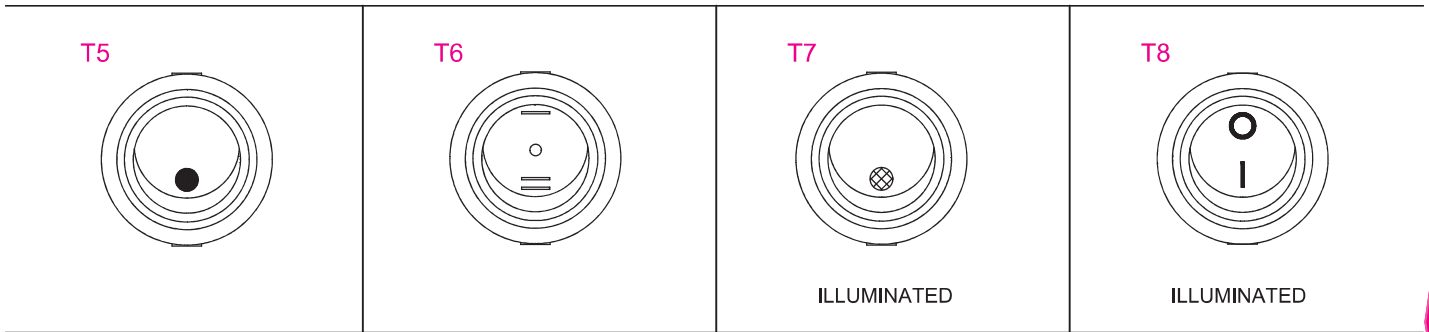
ILLUMINATED

T4



ILLUMINATED

ACTUATOR OPTIONS

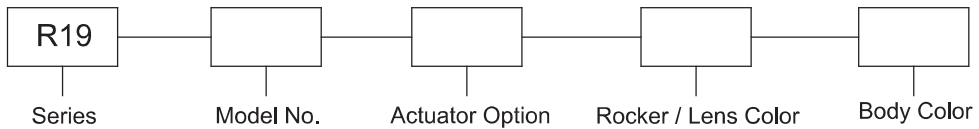


COLOR OPTIONS

Rocker / Lens Color			
1	White/Milky	6	Red
2	Black	7	Orange/Amber
3	Charcoal Gray	8	Green
4	Light Gray	9	Blue
5	-		

Body Color	
A	White
B	Black
C	Charcoal Gray
D	Light Gray

HOW TO ORDER



Toggle
Rocker
Slide
Pushbutton
AV
Rotary
Tact
Touch Key
Miscellaneous